

DATSUN 120A

SPORTS OPTION PARTS
MODEL : (K)PE10 SERIES

REF. NO. RB-100

DATE : NOV. 1, 1974



INTRODUCTION

This catalog introduces a list of sports option parts to be used in tuning up Datsun 120A for racing and rallies. Datsun 120A is officially assigned to the No. 1 group classification of the F.I.A.'s (RECOGNITION No. 5472) International Sports Regulations. When you actually equip your car with any of these sports option parts, please comply with the following:

- a) In order to use the sports option parts, please pay attention to the local sports regulations on racing and vehicles as well as to various safety regulations.
- b) To modify or change standard specifications by adoption of the parts listed herein, refer to the preparation manual which is issued by Nissan Motor Co., for their installation and repair instructions.
- c) To keep you informed, any alteration of the sports option parts list will be announced through a news bulletin at the time of change.
- d) Please note that after these sports option parts are installed, warranty is invalid.
- e) Should you have any questions regarding the quality or installation method of the sports option parts, please contact the Technical Service Department, Nissan Motor Co., Ltd.

In such countries where the group classification is severely treated, please pay particular attention to group classifications of the parts.

- Notes:**
- a) Nissan Motor Co., Ltd. does not warrant after these sports option parts are installed. Furthermore, the use of the certain types of sports option equipment or the modification to a standard Datsun automobile may not meet various safety regulations for use on public roads.
 - b) "O" symbol preceding part numbers shows the items which are processed by a computer, while the ones without "O" are manually handled. Therefore, type out them on a separate Conditional Order Sheet, even though it is under the same indent number. The manually handled orders will carry special Nissan Serial Numbers; X-RXXX.

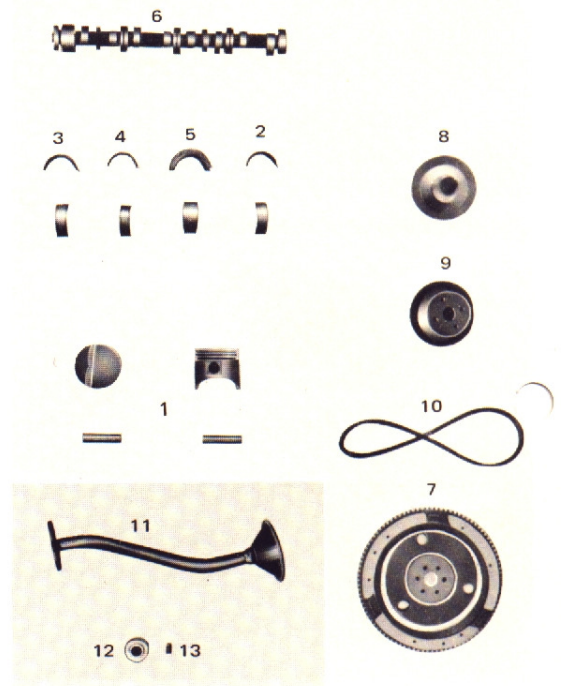


NISSAN MOTOR CO., LTD. Tokyo, Japan
EXPORT PARTS DEPARTMENT

§1 Engine Tune Up Parts

(PRIMARY SPECIFICATIONS)

Key No.	Part No.	Description	Qty	Remarks	
	11045-H1000	"O" RING-Oil Gallery	1		
1	12010-H2310	SET-PISTON W/Pin	4	d=72.967	
2	12111-25720	BUSHING-Connecting Rod	8	F77 42μ (20~64μ)	
	12111-25721	BUSHING-Connecting Rod	8		52μ (30~74μ)
	12111-25722	BUSHING-Connecting Rod	8		62μ (40~84μ)
	12111-25723	BUSHING-Connecting Rod	8		32μ (10~54μ)
	12111-25724	BUSHING-Connecting Rod	8		72μ (50~94μ)
3	12215-H2310	BUSHING-Main Outer	4	F770 50μ (21~71μ)	
	12215-H2311	BUSHING-Main Outer	4		60μ (39~81μ)
	12215-H2312	BUSHING-Main Outer	4		70μ (49~91μ)
4	12231-H2310	BUSHING-Main Inner	4	F770 50μ (21~71μ)	
	12231-H2311	BUSHING-Main Inner	4		60μ (39~81μ)
	12231-H2312	BUSHING-Main Inner	4		70μ (49~91μ)
5	12247-H2310	BUSHING-Main Center	2	F770 50μ (21~71μ)	
	12247-H2311	BUSHING-Main Center	2		60μ (39~81μ)
	12247-H2312	BUSHING-Main Center	2		70μ (49~91μ)
6	13001-H2310	CAM SHAFT 70°	1		
	13001-H2311	CAM SHAFT 74°	1		
	13001-H2312	CAM SHAFT 80°	1		
"0"	11023-78200	PLUG-Taper	1		
7	12300-M0821	ASSY-FLY Wheel	1		
8	12303-27720	PULLEY-Crank	1		
9	21051-27720	PULLEY-Fan & Water	1		
10	11720-27720	BELT-Fan	1		
11	15050-M0820	ASSY-STRAINER Oil	1		
12	15153-M0820	ADAPTER-Thermometer	1		
13	11048-H2310	PLUG-Blind Cylinder Head	2		



Also available are bushings with valve relief worked on and of different piston size, camshafts for races and rallies, and flywheels of improved balance and accuracy.

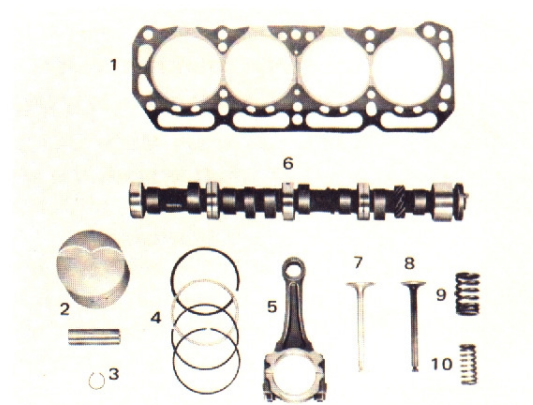
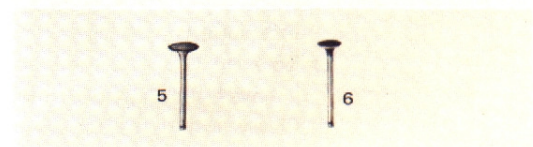
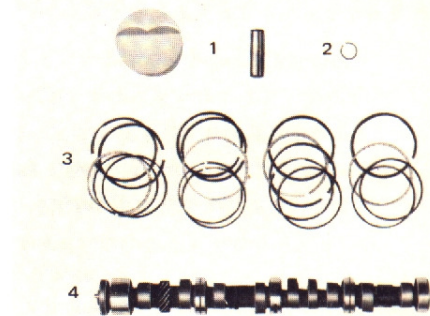
(SECONDARY SPECIFICATIONS)

Key No.	Part No.	Description	Qty	Remarks
1	12010-M0820	SET-PISTON W/Pin	4	d=75.92 (Std 72.967)
2	12032-M0820	CLIP-Piston	8	
3	12033-M0875	SET-RING Piston	1	
4	13001-M0820	CAM SHAFT 80°	1	
"0"	11023-78200	PLUG-Taper	1	
5	13201-M0820	VALVE-Intake	4	Diameter of top 37.1
6	13202-M0820	VALVE-Exhaust	4	Diameter of top 30.1

The parts of the secondary specifications are designed to have bores enlarged up to 1.270 cc (3 mm oversize), thereby enabling the engine to deliver improved high-speed performance. For parts other than those listed above, use parts of the primary specifications.

(TERTIARY SPECIFICATIONS)

Key No.	Part No.	Description	Qty	Remarks	
1	11044-M0820	GASKET-Cylinder Head	1		
2	12010-M0821	SET-PISTON W/Pin	4	d=76.72	
3	12032-M0821	CLIP-Piston Pin	8		
4	12033-M0876	SET-RING Piston	1		
5	12100-M0820	ASSY-ROD Connecting	4		
	12109-M0820	BOLT-Connecting Rod	8		
	12112-M0820	NUT-Connecting Rod	8		
6	13001-M0820	CAM SHAFT 80° A	1		
7	13201-M0821	VALVE-Intake	4	Diameter of top 38.4	
8	13202-M0821	VALVE-Exhaust	4	Diameter of top 32	
"0"	9	13203-H2300	SPRING-Valve Outer	8	
	10	13204-M0820	SPRING-Valve Inner	8	
		13207-M0820	SEAL-Valve Oil Intake	4	
		13207-M0821	SEAL-Valve Oil Exhaust	4	



"0"	13210-M0820	COTTER-Valve Intake	8	
	13210-U0100	COTTER-Valve Exhaust	8	
	13216-M0820	COVER-Seal Ring	8	
	13229-M0820	CAP-Valve Intake	4	
	13231-M0820	LIFTER-Valve	8	
	11098-M0820	INSERT-Valve Seat Intake	4	
	11099-M0820	INSERT-Valve Seat Exhaust	4	
	13212-M0820	GUIDE-Valve Intake	4	
13213-M0820	GUIDE-Valve Exhaust	4		

The parts of the tertiary specifications are allowable for special touring cars. Parts items by cylinder capacity are designed to have bores enlarged up to 1,298 cc (3,8 mm oversize), thereby enabling the engine to deliver improved high-speed performance.

It is recommended that the tertiary specification parts be used in a set with the carburetor parts of the secondary specifications. For parts other than those listed above, use parts of the primary specifications.

§2 Carburetor & Exhaust Parts

(PRIMARY SPECIFICATIONS)

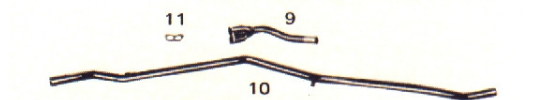
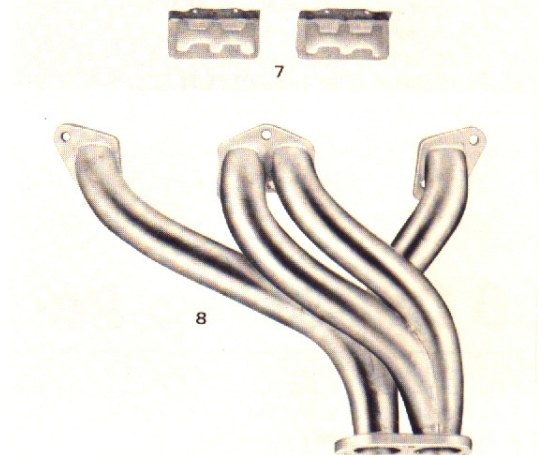
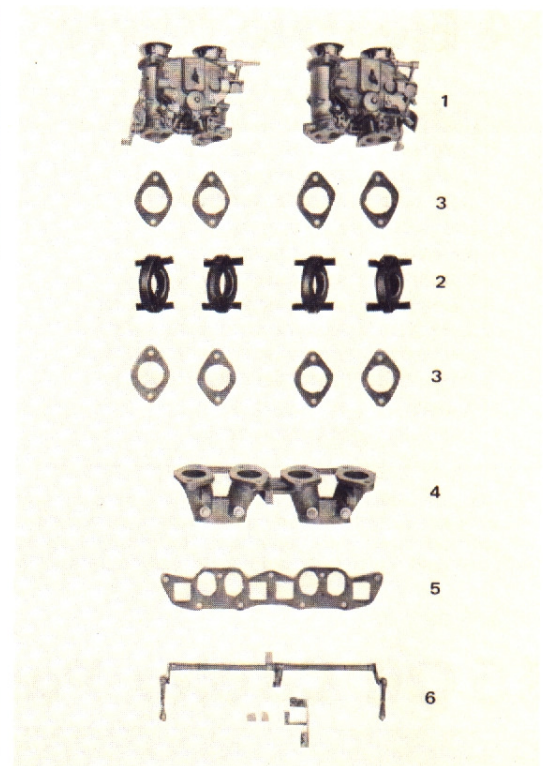
Key No.	Part No.	Description	Qty	Remarks
1	16010-H2310	SET-CARBURETOR Twin	1	SOLEX 40 PHH
2	16174-M0820	INSULATOR-Carburetor	4	
3	16176-H2310	GASKET-Insulator Carb	8	
4	14002-H2310	ASSY-MANIFOLD Intake	1	
5	14035-H2310	GASKET-Manifold	1	
6	16360-H2310	KIT-LINK Throttle	1	
7	14330-M0820	PLATE-Heat Shield Carb	2	
8	14060-M0820	ASSY-MANIFOLD Exhaust	1	
9	20011-M0820	PIPE-Exhaust FR	1	} For races
10	20011-M0821	PIPE-Exhaust RR	1	
	20021-A0220	CLAMP-Exhaust Pipe	1	
"0"11	20711-21001	GASKET-Exhaust Tube	1	

The SOLEX 40 PHH carburetor is installed for an increase in intake efficiency, the diameter of the exhaust tube is increased for less exhaust resistance and improved output.

(SECONDARY SPECIFICATIONS)

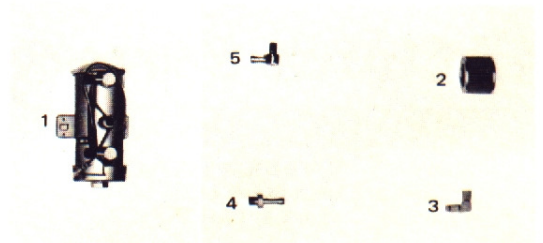
Key No.	Part No.	Description	Qty	Remarks
	16010-M0820	SET-CARBURETOR Twin	1	SOLEX 44 PHH
	16174-20100	INSULATOR-Carburetor	4	
	16176-20100	GASKET-Insulator Carb	8	
	14001-M0820	ASSY-MANIFOLD Intake	1	
	16360-M0820	KIT-LINK Throttle	1	

The installation of the SOLEX 44 PHH carburetor has made more power available. It is recommended that the tertiary specification engine parts be used in a set. For parts other than those listed above, use parts of the primary specifications.



§3 Fuel Parts

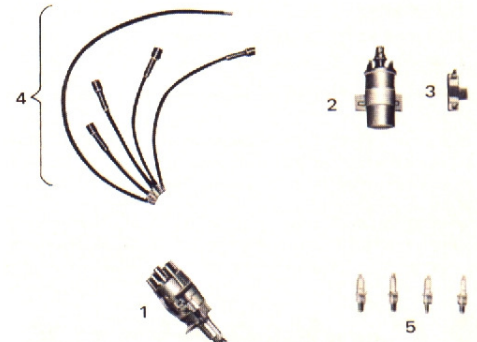
Key No.	Part No.	Description	Qty	Remarks
1	17010-22010	ASSY-PUMP Fuel Electric	1	
"0" 2	16404-28520	ELEMENT-Fuel Pump	1	
3	17103-14676	CONNECTOR-Elbow Fuel	2	FRP
4	17103-14675	CONNECTOR-Straight Fuel	2	
5	17103-A0220	CONNECTOR-Elbow Fuel	2	



§4 Electric Parts

Key No.	Part No.	Description	Qty	Remarks
1	22100-M0819	ASSY-DISTRIBUTOR	1	For races
	22145-27720	SET-CONTACT	1	
"0" 2	22100-27720	ASSY-DISTRIBUTOR	1	For rallies (Modify the plate for attachment)
	22433-A5410	ASSY-COIL Ignition	1	
"0" 3	22460-14615	ASSY-RESISTOR	1	For races
	22450-M0810	ASSY-CABLE Coil To Dis	1	
4	22451-25720	ASSY-CABLE High Tension No. 1	1	For races
	22452-25720	ASSY-CABLE High Tension No. 2	1	
	22453-25720	ASSY-CABLE High Tension No. 3	1	
	22454-25720	ASSY-CABLE High Tension No. 4	1	
5	22401-A4618	PLUG-Spark BP8ES	4	
	22401-A4619	PLUG-Spark BP9ES	4	

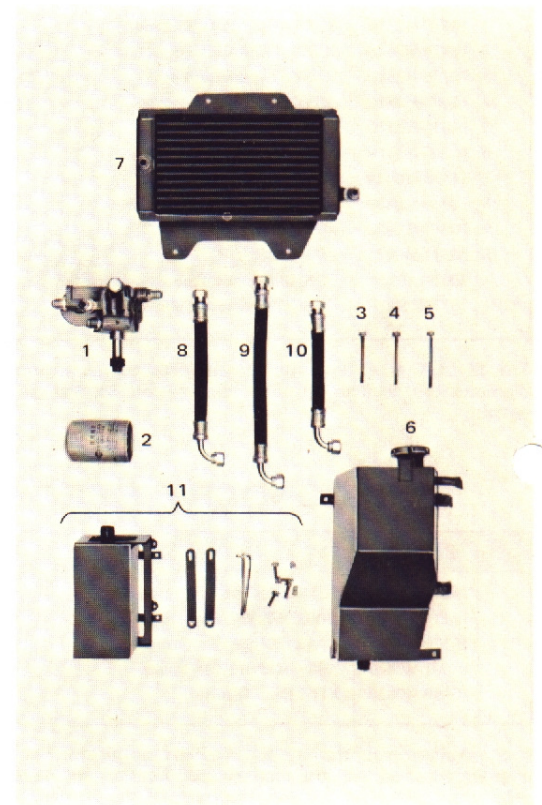
The angular-advance characteristic is changed, and distributors of high-speed endurance, and high-tension cables with a copper wire in the center for intensifying the ignition spark are established. The optional cables for races, which have not a built in sound arrester, should not be used on public roads.



§5 Oil Cooler Parts

Key No.	Part No.	Description	Qty	Remarks
	21305-M0820	ASSY-COOLER Oil	1	
	21356-M0820	ASSY-HOSE Flexible	1	
	21356-M0821	ASSY-HOSE Flexible	1	L=275 mm
	15010-M0820	ASSY-PUMP Oil	1	
	11125-14610	KIT-TANK Oil Catch	1	Capacity of 2ℓ

An oil cooler of great cooling capacity, and an oil pump with increased efficiency are established.



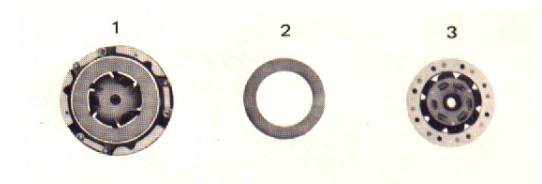
§6 Dry Sump Parts

Key No.	Part No.	Description	Qty	Remarks
1	15010-M0821	ASSY-PUMP Oil Dry Sump	1	
"0" 2	15208-H1010	ASSY-FILTER Oil	1	
3	08130-89010	BOLT-Hex M8x90	1	
4	08130-89510	BOLT-Hex M8x95	1	
5	08130-80010	BOLT-Hex M8x100	1	
6	15260-M0820	ASSY-TANK Oil Dry Sump	1	Capacity of 7ℓ
7	21305-M0820	ASSY-COOLER Oil	1	
8	21356-M0819	ASSY-HOSE Flexible	1	L=320 mm
9	21356-M0820	ASSY-HOSE Flexible	2	L=390 mm
10	21356-M0821	ASSY-HOSE Flexible	1	L=275 mm
11	11125-14610	KIT-TANK Oil Catch	1	Capacity of 2ℓ

A dry-sump type lubrication device, especially effective in long distance races, is established.

§7 Clutch Parts

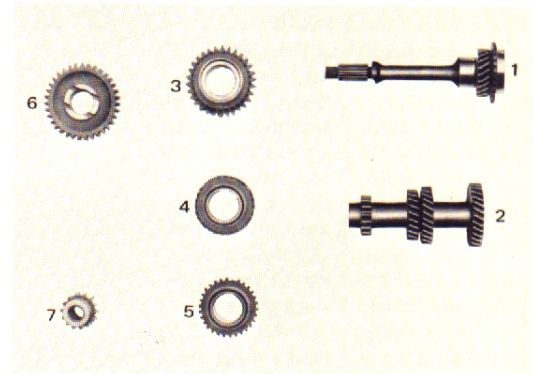
Key No.	Part No.	Description	Qty	Remarks
1	30210-M0877	KIT-COVER Clutch W/Disc	1	Pressure 315 kg
2	30214-M0820	SPRING-Diaphragm	1	
3	30100-M0820	ASSY-DISC Clutch	1	



§8 Transmission Parts

Key No.	Part No.	Description	Qty	Remarks
1	32200-M0820	ASSY-GEAR Main Drive	1	22T
2	32213-M0822	GEAR-Counter	1	16T,22T,27T,30T
3	32243-M0820	GEAR-1st Speed Main	1	30T
4	32250-M0820	ASSY-GEAR 2nd Speed Main	1	27T
5	32260-M0820	ASSY-GEAR 3rd Speed Main	1	25T
6	32245-M0820	GEAR-Main Reverse	1	35T
7	32280-M0820	ASSY-GEAR Reverse Idler	1	14T

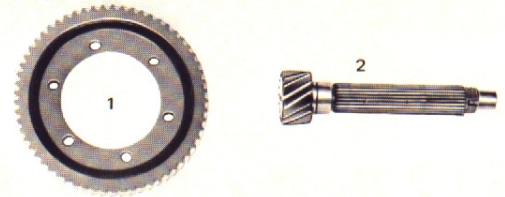
The close ratio transmission gears for races are set up. The PE10 standard transmission, which is also of a close ratio type, is fit to rallies.



§9 Final Gear Parts

Key No.	Part No.	Description	Qty	Remarks
"0"	32241-M0852	SHAFT-MAIN W/Final Drive	1	Gear ratio 4.067
"0"	32241-M0251	SHAFT-MAIN W/Final Drive	1	Gear ratio 4.286
1	38101-M0100	GEAR-FINAL	1	} Gear ratio 4.429
2	32241-M0820	SHAFT-MAIN	1	

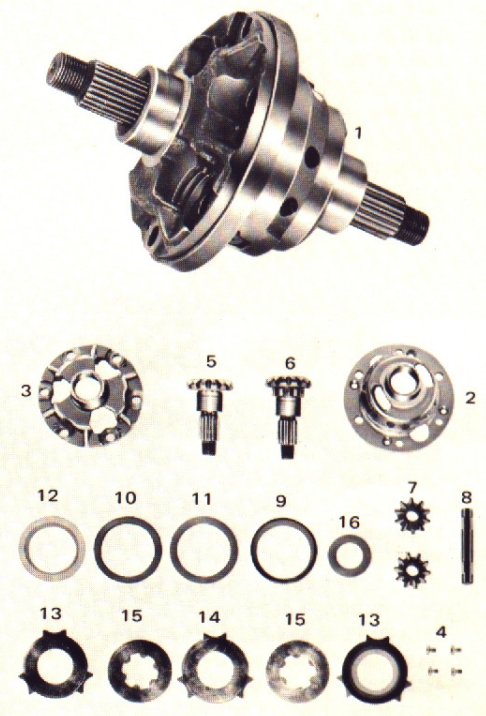
Of the above parts, the mainshaft that can obtain a gear ratio of 4.429 is optional. Select the gear ratio that meets the utilization requirement.



§10 Limited Slip Diff Parts

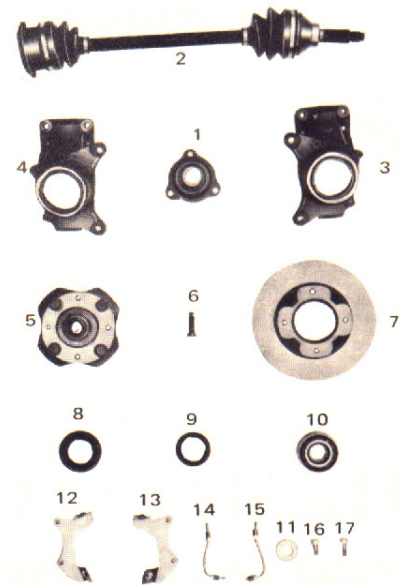
Key No.	Part No.	Description	Qty	Remarks
1	38420-M0821	ASSY-DIFF Limited Slip	1	
2	38421-M0820	CASE-Diff RH	1	
3	38422-M0820	CASE-Diff LH	1	
4	08320-61210	SCREW-Flat Head	4	
5	38423-M0820	GEAR-Diff Side RH	1	
6	38423-M0821	GEAR-Diff Side LH	1	
7	38425-M0820	PINION-Diff Bevel	2	
8	38427-M0820	SHAFT-Pinion	1	
9	38431-M0820	RING-Thrust	1	
	38435-M0820	GUIDE-Spr Plate	1	
10	38438-M0820	PLATE-Spr	1	
11	38439-M0820	SPACER-Thrust Plate	1	
12	38434-M0820	PLATE-Thrust Plate	1	
13	38432-M0820	PLATE-Friction A (With oil groove on one side)	2	T=1.7 mm
14	38432-M0821	PLATE-Friction B (With oil groove on each side)	1	T=1.7 mm } Select either type
	38432-M0822	PLATE-Friction C (With oil groove on each side)	1	T=1.8 mm } (use one)
15	38433-M0820	DISC-Friction A (With oil groove on each side)	2	T=2.2 mm } Select either type
	38433-M0821	DISC-Friction B (With oil groove on each side)	2	T=2.3 mm } (use two)
"0"	38424-M0100	WASHER-Diff Side Thrust A	AR	T=0.8 mm
"0"	38424-M0101	WASHER-Diff Side Thrust B	AR	T=0.9 mm
"0"16	38424-M0102	WASHER-Diff Side Thrust C	AR	T=1.0 mm } Selective use
"0"	38424-M0103	WASHER-Diff Side Thrust D	AR	T=1.1 mm
"0"	38424-M0104	WASHER-Diff Side Thrust E	AR	T=0.7 mm

A non-slip differential for the FF model is available. Vehicles equipped with this non-slip differential have different steering characteristics than those provided with the standard differential. Therefore, the non-slip differential car requires a special operating technique and should never be used in rallies or anywhere else except races.



§11 Race Axle Parts

Key No.	Part No.	Description	Qty	Remarks
"0"	38220-M0820	ASSY-FLANGE Side	2	
"0"	40010-M0820	ASSY-SHAFT Drive	2	
"0"	40014-M0820	KNUCKLE-STRG RH	1	
"0"	40015-M0820	KNUCKLE-STRG LH	1	
"0"	40202-M0820	ASSY-HUB FR Wheel	2	
"0"	40221-M0820	BOLT-Wheel	8	
"0"	40206-M2201	DISC-FR Brake	2	
"0"	40228-M0820	ASSY-NUT Brg Lock	2	
"0"	40232-M0820	SEAL-Oil Hub Inner	2	
"0"	40215-M0820	BRG-Duplex Angular	4	
"0"	40037-M0820	WASHER-Plain	2	
"0"	41150-M0820	ASSY-GUARD Splash RH	1	
"0"	46330-M0820	BRACKET-Pipe Disc RH	1	
"0"	41160-M0820	ASSY-GUARD Splash LH	1	
"0"	46331-M0820	BRACKET-Pipe Disc LH	1	
"0"	46320-M0821	PIPE-Brake Disc RH	1	
"0"	46321-M0821	PIPE-Brake Disc LH	1	
"0"	01111-00102	BOLT-Fix FR Disc	8	M10x1.25x22
"0"	01111-00112	BOLT-Fix Caliper	4	M10x1.25x26

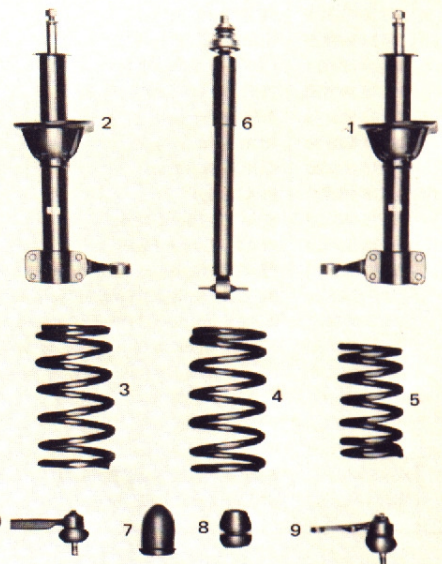
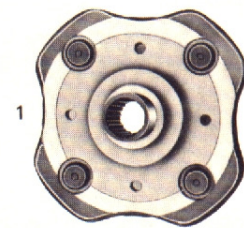


The rigidity of all racing axle parts has been intensified for greater safety, and these parts are different in size from other parts. Therefore, be sure to use them in a set.

§12 Rally Axle Parts

Key No.	Part No.	Description	Qty	Remarks
"0"	40010-M0205	ASSY-SHAFT Drive	2	
"0"	40014-M0205	KNUCKLE-STRG RH	1	
"0"	40015-M0205	KNUCKLE-STRG LH	1	
"0"	40202-M0805	ASSY-HUB FR Wheel	2	
"0"	40215-M0205	BEARING-Duplex Angular	4	
"0"	40270-M0209	SPACER-Hub Bearing	AR	} Selective use
"0"	40270-M0218	SPACER-Hub Bearing	AR	
"0"	40227-M0205	OIL SEAL-Inner	2	
"0"	40232-M0205	OIL SEAL-Outer	2	
"0"	40262-M0205	NUT-Hub	2	
"0"	40037-M0205	WASHER-Hub Nut	2	

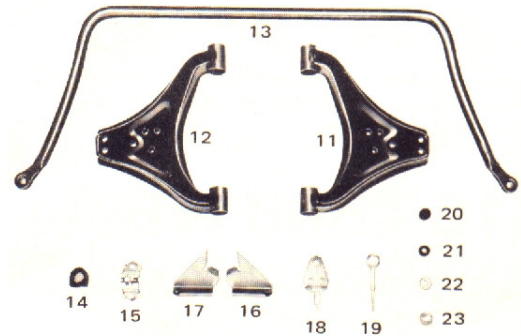
The front axle bearing is changed from a ball bearing to a taper-roller bearing for improved durability.



§13 Race Suspension Parts

Key No.	Part No.	Description	Qty	Remarks
1	54302-M0821	ASSY-STRUT FR RH	1	Hydraulic type
2	54303-M0821	ASSY-STRUT FR LH	1	Hydraulic type
3	54010-M0821	SPRING-Coil FR RH	1	Free length 232 mm (Std 325.5 mm)
4	54010-M0822	SPRING-Coil FR LH	1	Free length 239.5 mm (Std 324.5 mm)
5	55020-M0821	SPRING-Coil RR	2	Free length 173 mm (Std 215 mm)
6	56210-M0822	SHOCK ABSORBER-RR	2	Gas-filled type
7	54050-M0820	BUMPER-Bound FR Susp	2	
8	55240-M0820	BUMPER-Bound RR Susp	2	
9	40160-M0820	ASSY-JOINT Ball	2	
10	48520-M0821	ASSY-SOCKET Side Rod	2	
"0"	54529-M1052	ASSY-LINK Transverse RH	1	

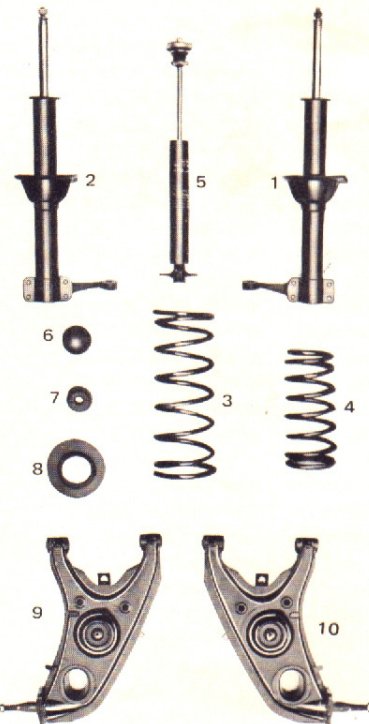
"0"12	54530-M1052	ASSY-LINK Transverse LH	1	
"0"13	54611-M1002	STABILIZER-FR 22φ	1	
"0"14	54613-M1000	BUSH-Stabilizer FR 22φ	2	
"0"15	54614-M1000	CLAMP-Stabilizer Bush	2	
"0"16	54620-M1000	BRACKET-Stabilizer RH	1	
"0"17	54621-M1000	BRACKET-Stabilizer LH	1	
"0"18	54625-M1000	ASSY-BRACKET Stabilizer	2	
"0"19	54618-M1000	ASSY-ROD Stabilizer	2	
"0"20	56124-18000	BUSH-Stabilizer Rod Lower	4	
"0"21	56125-18000	BUSH-Stabilizer Rod Upper	4	
"0"22	56122-18000	WASHER-Special	2	
"0"23	56126-18000	WASHER-Special	4	
	55501-M0875	ASSY-ARM RR RH	1	
	55502-M0875	ASSY-ARM RR LH	1	
	56230-M0820	STABILIZER-RR 14φ	1	
	56243-M0820	BUSH-Stabilizer RR 14φ	4	
	56242-M0820	CLAMP-Stabilizer RR	4	



Due to the smaller tire diameter (change in aspect ratio), the specifications of the struts and springs are changed in order to secure the road clearance. For safety assurance in racing, be certain to use the racing axle parts in a set in addition to the above-listed parts. Never use any racing parts on vehicles for traveling on public roads.

§14 Rally Suspension Parts

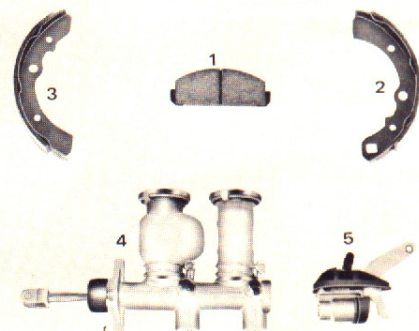
Key No.	Part No.	Description	Qty	Remarks
1	54302-M0220	ASSY-STRUT FR RH	1	Gas-filled type
2	54303-M0220	ASSY-STRUT FR LH	1	Gas-filled type
"0" 3	54010-M1001	SPRING-Coil FR	2	Free length 327 mm
"0" 4	55020-M1000	SPRING-Coil RR (Sedan)	2	Free length 222.5 mm
"0" 5	55020-M1400	SPRING-Coil RR (Coupe)	2	Free length 215 mm
5	56210-M0275	SHOCK ABSORBER-RR	2	Gas-filled type
6	54050-M0220	BUMPER-Bound FR Susp	2	
7	55240-M0220	BUMPER-Bound RR Susp	2	
8	55036-M0220	SEAT-Rub RR Spring	2	
"0" 9	54529-M1052	ASSY-LINK Transverse RH	1	
"0" 10	54530-M1052	ASSY-LINK Transverse LH	1	
"0" 11	54611-M1002	STABILIZER-FR 22φ	1	
"0" 12	54613-M1000	BUSH-Stabilizer FR 22φ	2	
"0" 13	54614-M1000	CLAMP-Stabilizer Bush	2	
"0" 14	54620-M1000	BRACKET-Stabilizer RH	1	
"0" 15	54621-M1000	BRACKET-Stabilizer LH	1	
"0" 16	54625-M1000	ASSY-BRACKET Stabilizer	2	
"0" 17	54618-M1000	ASSY-ROD Stabilizer	2	
"0" 18	56124-18000	BUSH-Stabilizer Rod Lower	4	
"0" 19	56125-18000	BUSH-Stabilizer Rod Upper	4	
"0" 20	56122-18000	WASHER-Special	2	
"0" 21	56126-18000	WASHER-Special	4	
9	55501-M0275	ASSY-ARM RR RH	1	
10	55502-M0275	ASSY-ARM RR LH	1	



The rally suspension raises the road clearance, intensifies the torsional rigidity, and increases the damping force characteristic so as to improve car performance in traversing bad roads.

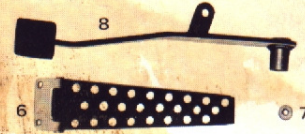
§15 Brake & Pedal Parts

Key No.	Part No.	Description	Qty	Remarks
1	41060-M0820	ASSY-PAD Brake N2424F	4	For long distance
	41060-M0821	ASSY-PAD Brake M59S	4	For medium distance
	41060-M0822	ASSY-PAD Brake TS0417	4	For short distance
2	44060-M0821	ASSY-SHOE Leading	2	
3	44070-M0821	ASSY-SHOE Trailing	2	
4	46010-M0820	ASSY-CYLINDER T/Master	1	3/4" (Std 11/16") For R Drive
5	44100-M0200	ASSY-CYLINDER RR Wheel	2	5/8" (Std 11/16") For R Drive



6	18010-M0820	ASSY-PEDAL Accel	1	For R Drive
7	18092-M0820	SPACER-Accel Pedal	2	For R Drive
8	46520-M0820	ASSY-PEDAL Brake	1	For R Drive

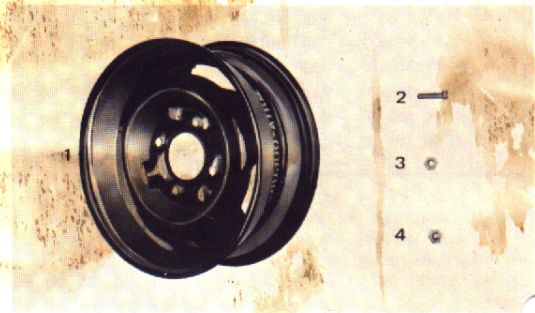
Brake pads and shoes, outstanding in fade resistance, are adopted. The brake pedal and acceleration pedal are offset on the left for an easier application of the heel and toe. For the clutch pedal, use the standard parts as they are.



§16 Road Wheel Parts

Key No.	Part No.	Description	Qty	Remarks
1	40300-M0821	ROAD WHEEL-RR 6Jx13	2	Steel offset 25
	40300-M0820	ROAD WHEEL-FR 7Jx13	2	Steel offset 25
	40300-M2220	ROAD WHEEL-RR 8Jx13 (Taper)	2	Aluminum offset -20
	40300-M2221	ROAD WHEEL-FR 9Jx13 (Taper)	2	Aluminum offset -10
2	40222-A0220	BOLT-Hub (50 mm long)	16	M12x1.25x50
3	40224-R1120	NUT-Road Wheel (Taper)	16	W/o zinc-plated cap
4	40224-E7210	NUT-Road Wheel (Taper)	16	With chrome-plated cap } For aluminum wheel

For a lighter load under the spring, and for improving road holding, aluminum road wheels are prepared. These wheels are to be used in a set with the wheel nuts.



§17 Others Parts

Key No.	Part No.	Description	Qty	Remarks
	21400-M0820	ASSY-RADIATOR	1	Aluminum-construction
1	11220-M0820	ASSY-INSULATOR Eng Mtg FR	1	
2	11320-M0820	ASSY-INSULATOR Eng Mtg RR	1	
3	50130-M0820	SPACER-Sub Frame Mtg RR-A	2	
4	50140-M0820	SPACER-Sub Frame Mtg RR-B	2	Aluminum-construction (Std parts are made of rubber)
5	50160-M0820	SPACER-Sub Frame Mtg FR	2	
6	24855-H1075	ASSY-TACHOMETER	1	
7	24880-14675	GAUGE-Oil Temperature	1	
8	25070-12976	GAUGE-Oil Pressure W/Tube	1	
	25150-E8700	ASSY-SWITCH Ign. & Starter	1	
9	28810-M0820	ASSY-MOTOR Wiper	1	
10	26382-M0820	SPRING-Wiper Blade	2	SEDAN } RH=700g
	26382-M1420	SPRING-Wiper Blade	2	COUPE } Pressure LH=550g
11	63860-M1422	OVER FENDER-FR RH	1	COUPE, FRP
	63861-M1422	OVER FENDER-FR LH	1	
12	63862-M1420	OVER FENDER-RR RH	1	
	63863-M1420	OVER FENDER-RR LH	1	
13	87000-U0175	ASSY-SEAT Driver	1	Bucket seat (Rail requires modification)
14	86850-A0220	ASSY-BELT Safety	1	5-point type
	50910-M0220	ASSY-GUARD Under	1	Aluminum-construction (t=10 mm) for rallies; to be made to order
	62302-M0820	ASSY-GRILLE Radiator	1	FRP
	65101-M0820	ASSY-COVER Hood	1	FRP, to be made to order
	84305-M0820	ASSY-TRUNK Lid	1	SEDAN, FRP
	90102-M1420	ASSY-DOOR Back	1	COUPE } To be made to order
15	98110-M0821	AIR SPOILER-FR	1	Aluminum-construction
16	98100-M0820	AIR SPOILER-RR	1	FRP
"0"	72613-M1000	GLASS-FR Window	1	SEDAN } Colorless, laminated
"0"	72613-M1402	GLASS-FR Window	1	COUPE }
17	96100-M0820	KIT-SAFETY Bar	1	SEDAN } 4-point type
	96100-M1420	KIT-SAFETY Bar	1	COUPE }

